

Mounting Plates

EC-SCC PLATE

EC-SCC BATT



Purpose built mounting plates for EC expander modules, 12V 3A & 12V 7.5A SLA batteries

Mounts directly into standard structured cabling cabinets. Each EC-SCC PLATE supports up to 2 x EC expander modules

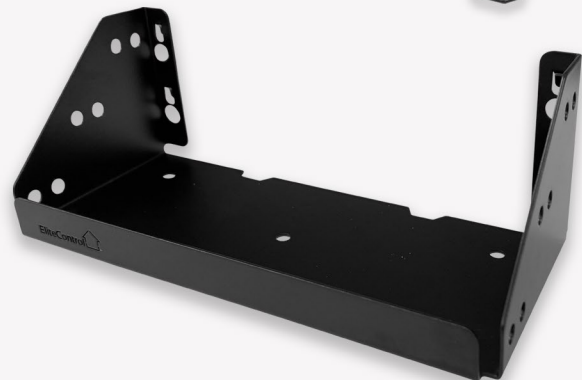
EC-SCC PLATE - Features

- EliteControl Custom design
- Supports up to 2 x EC expander modules
- Includes 4 x press fit mounting pins



EC-SCC BATT - Features

- Supports 12V 3A or 12V 7.5A SLA batteries
- Includes 4 x press fit mounting pins
- Multiple cable tie locations to secure battery & wiring looms



Compatible products

EC-SCC PLATE	EC-Z8	EC-O4	EC-A2		
EC-SCC BATT	DM12-3	DM12-7.5	EC-Z8	EC-O4	EC-A2

5 Year **Warranty**

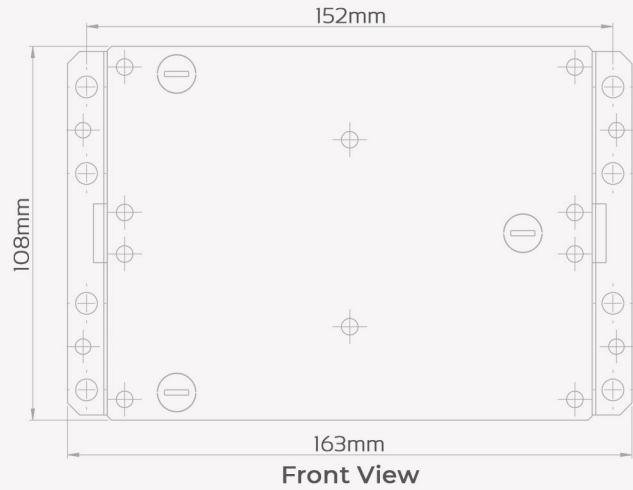
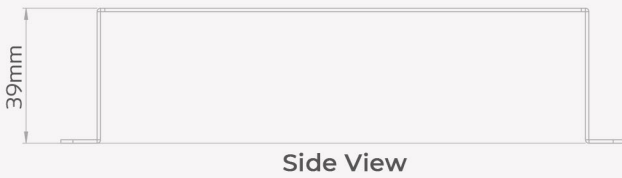
Streamline installation

Dimensions

EC-SCC PLATE & EC-SCC BATT

EC-SCC PLATE

Mounting plate for installing up to 2 x EC expander modules into data or structured cabling cabinets



EC-SCC BATT

Allows SLA batteries to be mounted directly below back up power supplies inside data or structured cabling cabinets

Ideal for use underneath control panels or EC expanders fitted with plug in EC-PSU power supplies

